

LinkEx™ LED Floodlite

Zones: 1, 2, 21 and 22



Product Overview

The LinkEx™ LED Floodlite is a high performance, lightweight, portable floodlight for use in temporary applications in potentially explosive atmospheres. Using an array of high output and efficiency LEDs, it gives an excellent flood of brilliant white light and is CE marked to the ATEX Directive and IECEx Certified for safe use in Zone 1 potentially explosive gas and Zone 21 explosive dust atmospheres, where a T4 temperature class permits.

Delivering an impressive flood of light from 48 high power LEDs, the Floodlite has an output of 5,200 lumens for low voltage and 3,300 lumens for high voltage versions. It has significantly lower power consumption at 58/59 watts, and runs at a lower temperature, eliminating the risk of burns when handling. Supplied with collimating optics delivering a piercing 30° 'medium' flood of light, the LED light sources have an inherently greater robustness than fragile filament lamps, plus with an estimated life of up to 100,000 hours it is a very low maintenance, highly reliable unit.

The Floodlite is cable powered, runs with voltages of 100 to 254V AC or 18 to 54V AC/DC, supplied with 10 metres of SY cable and fitted with an ATEX plug. For mains voltages it can also be fitted with an ATEX socket allowing setup of multiple lights. The robust marine grade aluminium enclosure with corrosion resisting coating is designed to withstand the rigours of harsh environments. The lens has a replaceable impact-resistant polycarbonate transparent cover, which can be protected using a disposable anti-static lens film. The Floodlite is sealed dust tight and protected from water immersion with a certified IP66/67 enclosure.

Supplied with a stainless steel bridle for pivot angle adjustment and bolted to a stainless steel stand for protection, the lamp can easily be detached and bolted to magnet fixings or a tripod stand, making it a truly versatile solution for hazardous areas activities.

Features & Benefits

- ATEX Directive compliant and IECEx Scheme certified
- For use in Zones 1 gas and 21 dust atmospheres
- Ultra bright high power LED light output
- Medium angle flood beam
- Wide voltage range 18-254V
- Small, lightweight floodlamp construction
- IP66/67 dust and watertight
- Supplied with stand and integral bridle
- Low operating surface temperature, no risk of burns
- Very low maintenance
- Magnet mounting and tripod options available
- Lens protecting films available for blasting and painting applications

Certifications

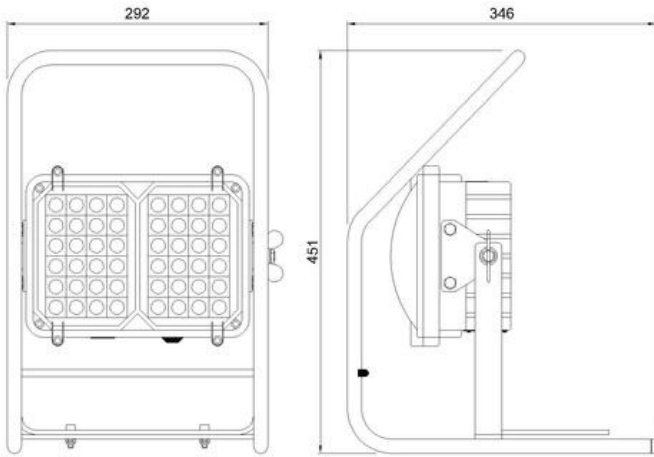


Technical Specification

Product Reference	WF-300		
Product Description	LinkEx™ LED Floodlite		
	Low Voltage (LV)	High Voltage (HV)	
Code	II 2 GD Ex emb IIC T4 Gb Ex t IIIC T87°C Db IP66/67 (Tamb= 55°C)	II 2 GD Ex emb IIC T4 Gb Ex t IIIC T103°C Db IP66/67 (Tamb= 50°C)	
Equipment Category	2GD		
Type of Protection	"e" increased safety, 'mb' encapsulation, 't' enclosure protection		
Area of Classification (Gas)	Zones 1 and 2, Gas Groups IIA, IIB and IIC		
Temp. Classification	T4		
Area of Classification (Dust)	Zones 21 and 22, Dust Groups IIIA, IIIB and IIIC		
Max Surface Temp (Dust)	T87°C	T103°C	
Ambient Temperature	-20°C to +55°C	-20°C to +50°C	
Certificate	SIRA10ATEX5117X IECEXSIR10.0016X		
Enclosure	Marine grade aluminium alloy, epoxy powder coated		
Lens	Polycarbonate		
Beam Type	Medium Flood (Wide Flood Available - Special Order)		
Light Source:	Type	48 x White High Power LEDs	
	Life	100,000+ hrs	
	Power	59w	58w
	Output	5200lm	3300 lm
Voltage	18-54 AC/DC	100-254V AC	
Weight	9.0kg (excluding cable)		
Ingress Protection	IP66/67		
Accessories	Supplied with bridle and lamp stand		

- All information has been gathered under laboratory conditions, the user must regard the values given as approximate.
- Changes may be made to the above specification without notification, details are available on request.

Product Dimensions



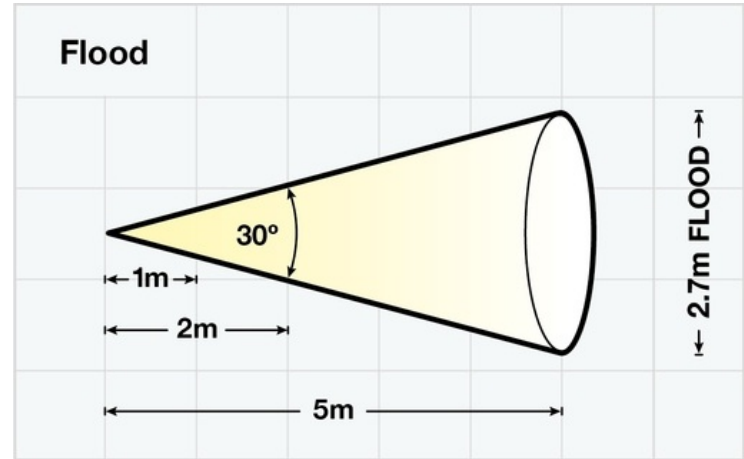
Light Output

Medium Flood (30°) (as per Light Output Diagram)

Low Voltage - Light intensity at 2m 2870 lux, 5m 459 lux

High Voltage - Light intensity at 2m 1927 lux, 5m 341 lux

Wide Flood (50°)



Version: SL025 Issue 6 DF432

Wolf

Wolf Safety Lamp Company, Saxon Road Works, Sheffield, S8 0YA, UK

T: +44 (0) 114 255 1051

F: +44 (0) 114 255 7988

E: info@wolf-safety.co.uk

www.wolf-safety.co.uk

